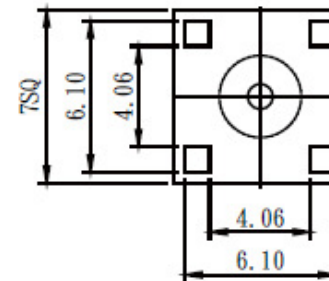
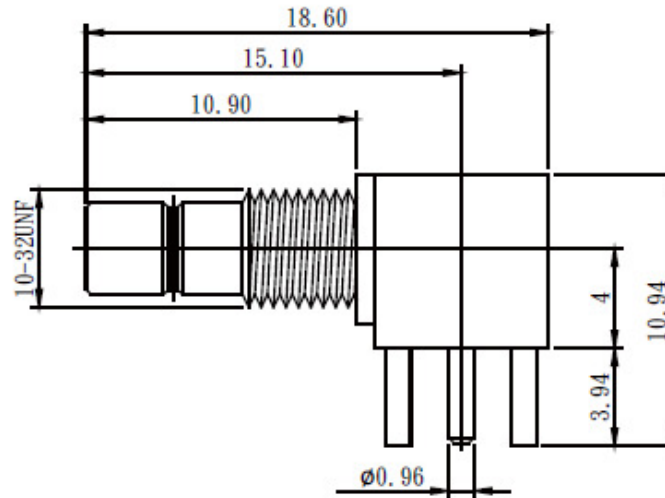
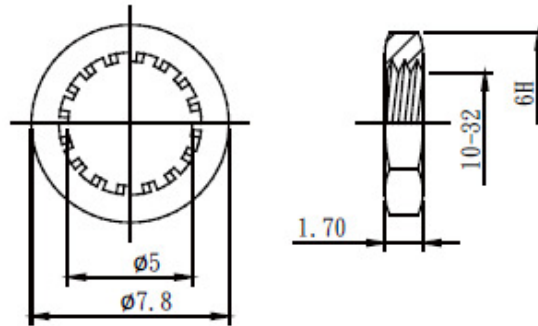
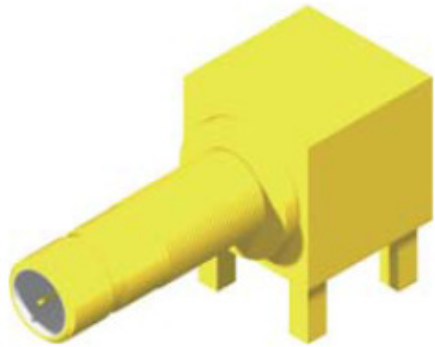


# SMB Conn. Series

RoHS  
2002/95/EC



SMB003-F  GW-L

5:50 Ω 7:75 Ω

NO	DESCRIPTION	MATERIAL	FINISH	QTY
7	NUT	BRASS	GOLD	1
6	WASHER	BRASS	GOLD	1
5	DIELECTRIC	TEFLON	NONE	1
4	DIELECTRIC	TEFLON	NONE	1
3	PIN	BRASS	GOLD	1
2	BODY	BRASS	GOLD	1
1	BODY	BRASS	GOLD	1

IMPEDANCE	50 OHM	
FREQUENCY	0-4 GHz	
DIELECTRIC WITHSTANDING VOLTAGE 50 Hz RMS	750V	1000V
WORKING VOLTAGE 50 Hz RMS	250V	335V
WORKING VOLTAGE DC	350V	450V
INSULATION RESISTANCE	1000 MEGOHMS MIN	
CONTACT RESISTANCE	INNER CONDUCTOR	≤ 3 MILLIOHMS
	OUTER CONDUCTOR	≤ 0.5 MILLIOHMS
INSERTION LOSS (dB MAX.)	STRAIGHT CONNECTOR	.15 dB MAX. AT 1.0GHz
	RIGHT ANGLE CONNECTOR	.30 dB MAX. AT 1.0GHz

**TOPTEK**  
HARDWARE ELECTRONIC COMPONENTS



www.toptek-co.com